

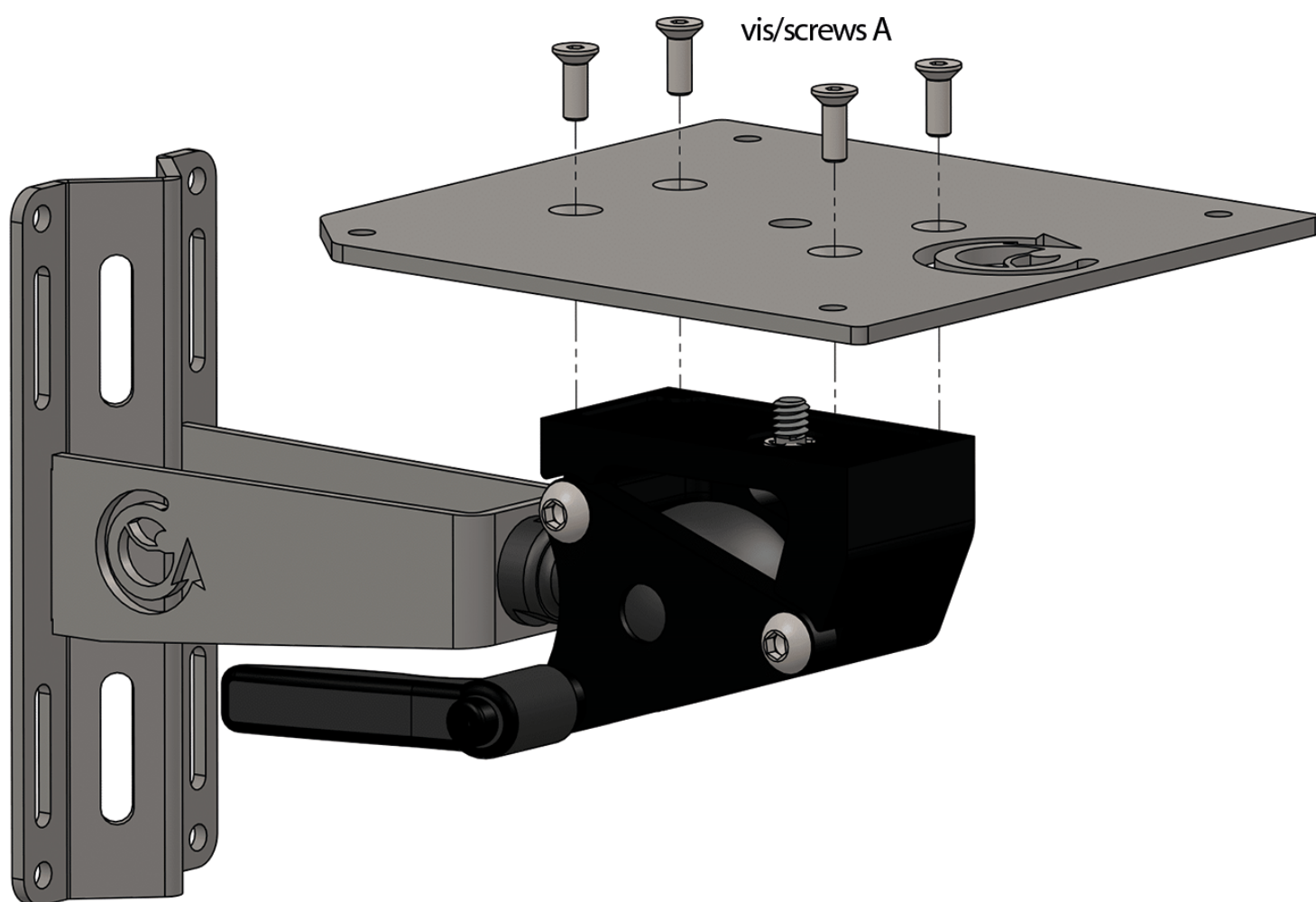
1

Contenu/Content:

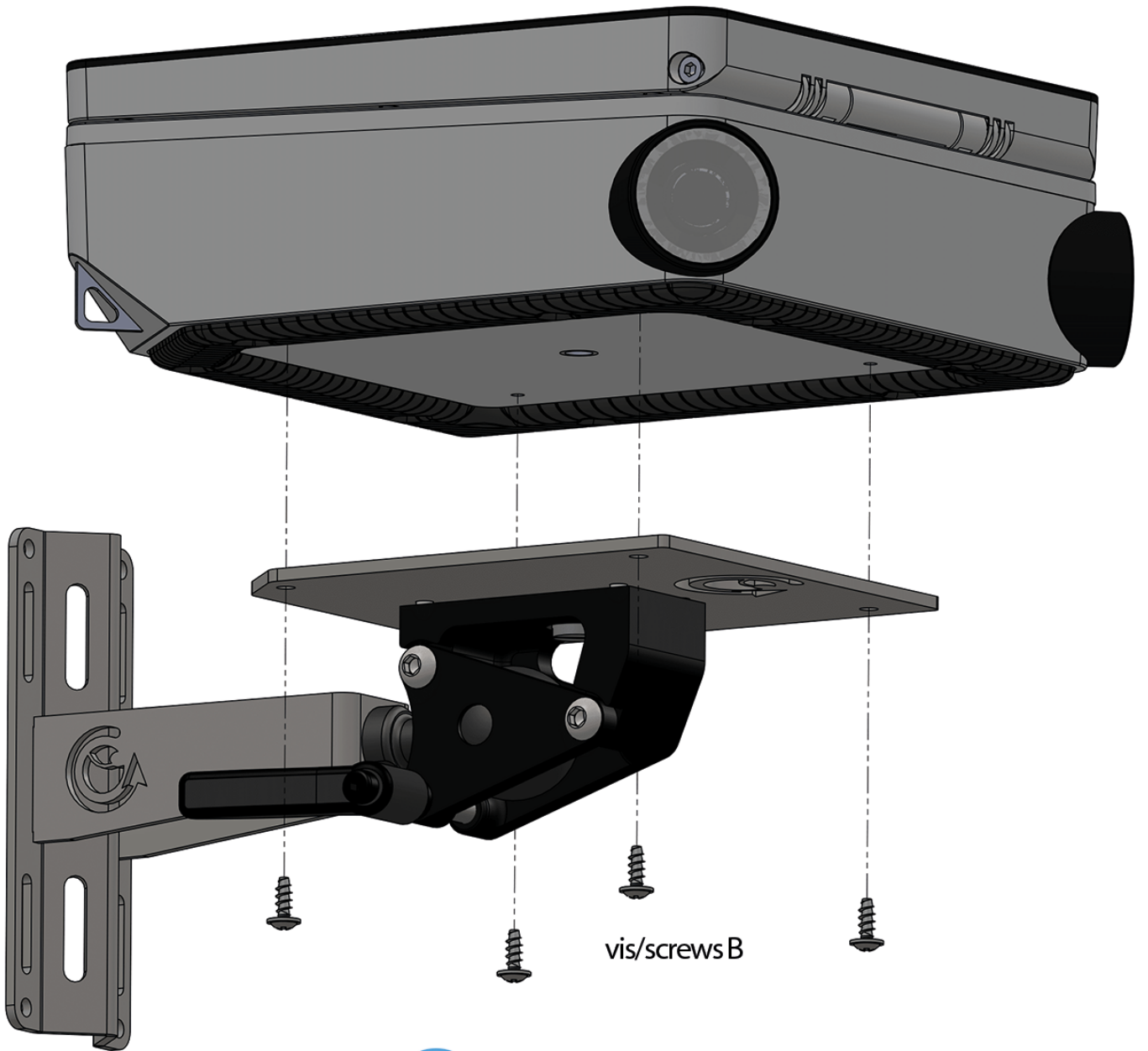
 4 x vis/screws A

 4 x vis/screws B

1 x renfort/reinforcement plate



2



vis/screws B

