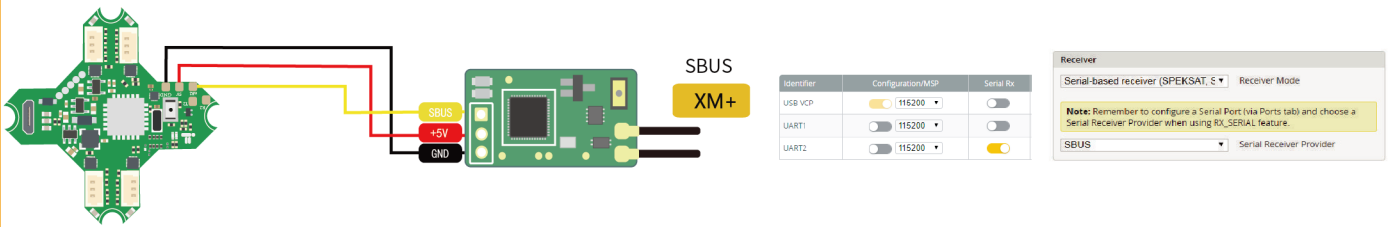
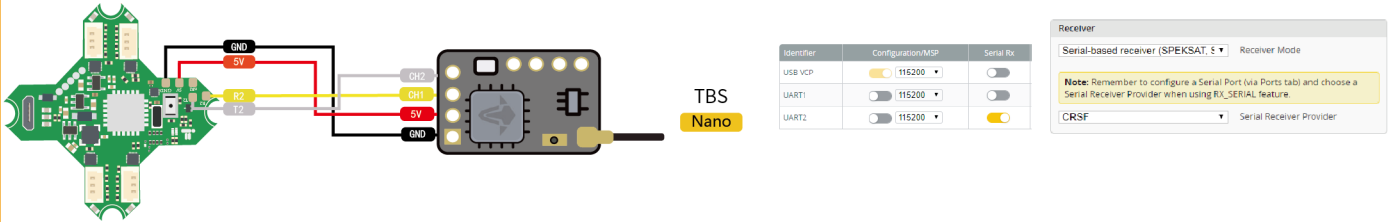
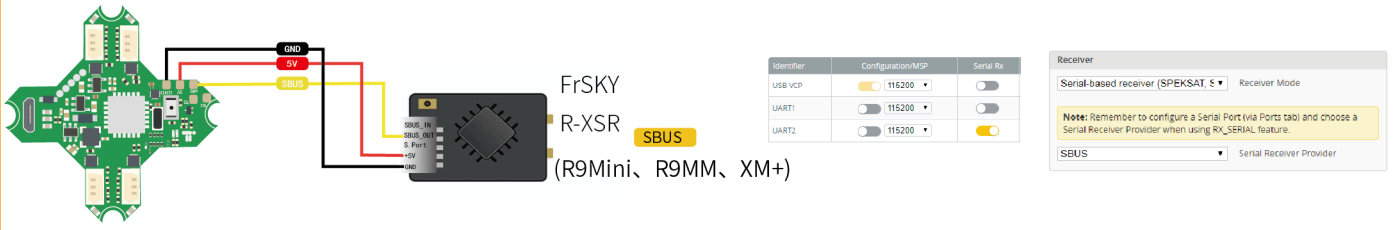


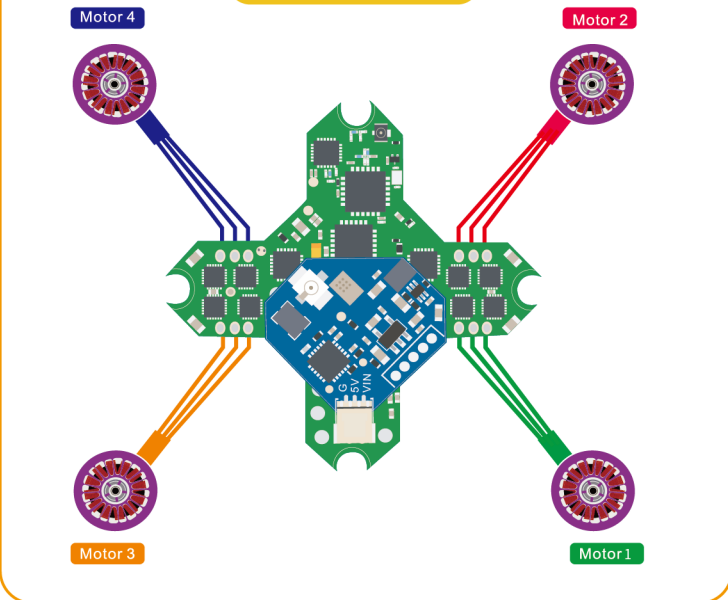
iFlight BLITZ F411 1S 5A Whoop AIO Board with Built-in CC2500 2.4G Receiver Wiring diagram

FC Firmware: IFLIGHT_BLITZ_F411RX

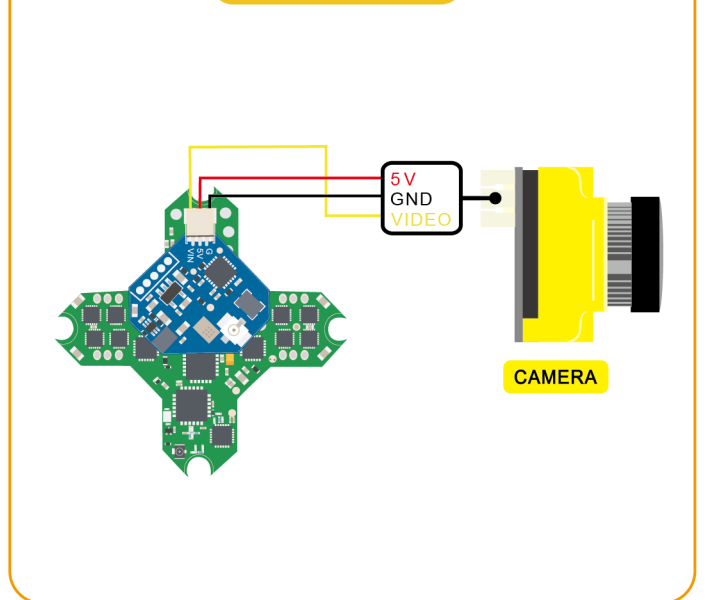
ESC Firmware: O-H-30 BLS 16.8



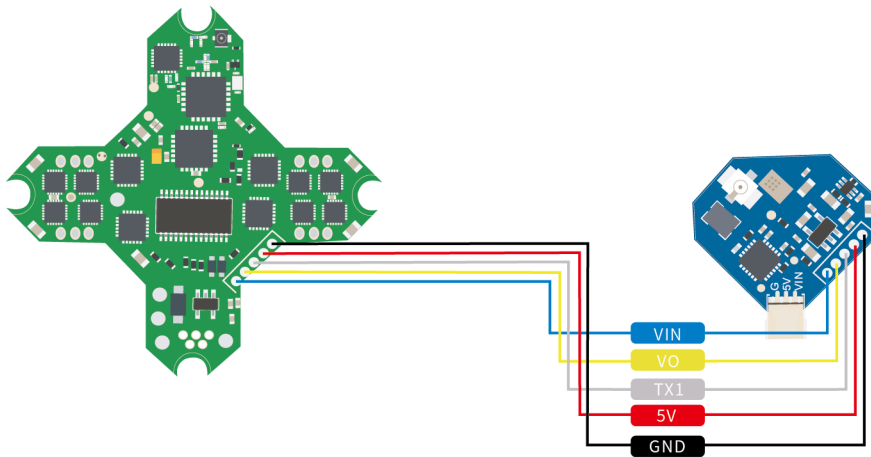
Motor



CAM



VTX



Identifier	Configuration/MSP	Serial Rx	Telemetry Output	Sensor Input	Peripherals
USB VCP	<input checked="" type="checkbox"/> 115200	<input type="checkbox"/>	Disabled AUTO	Disabled AUTO	Disabled AUTO
UART1	<input type="checkbox"/> 115200	<input type="checkbox"/>	Disabled AUTO	Disabled AUTO	VTX (TBS Smi) AUTO
UART2	<input type="checkbox"/> 115200	<input checked="" type="checkbox"/>	Disabled AUTO	Disabled AUTO	Disabled AUTO