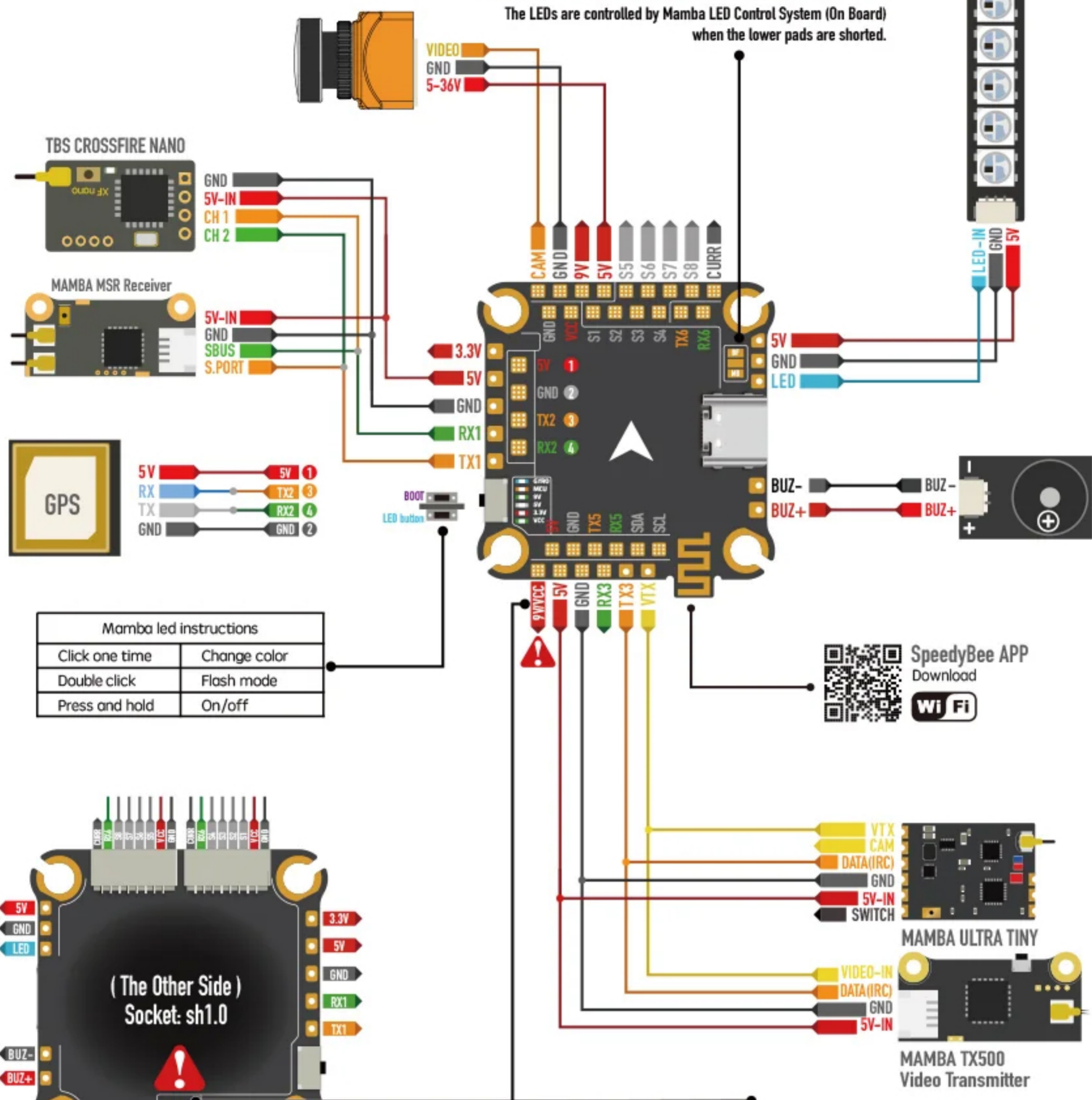


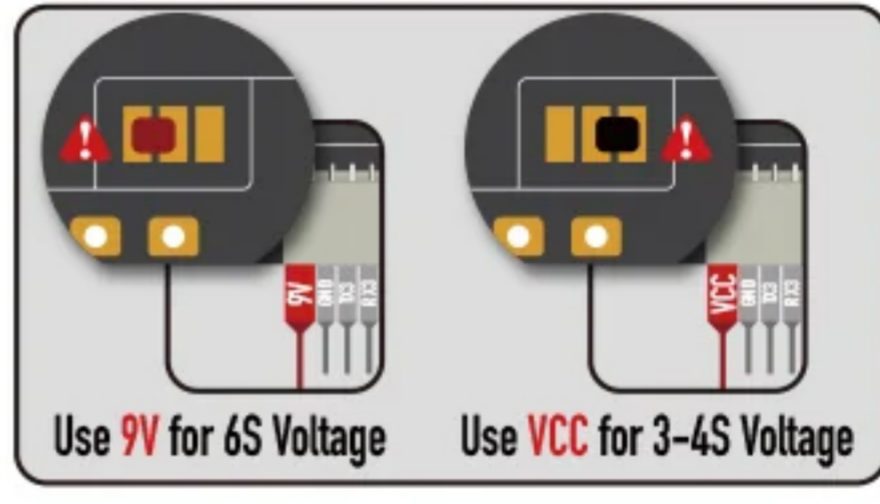
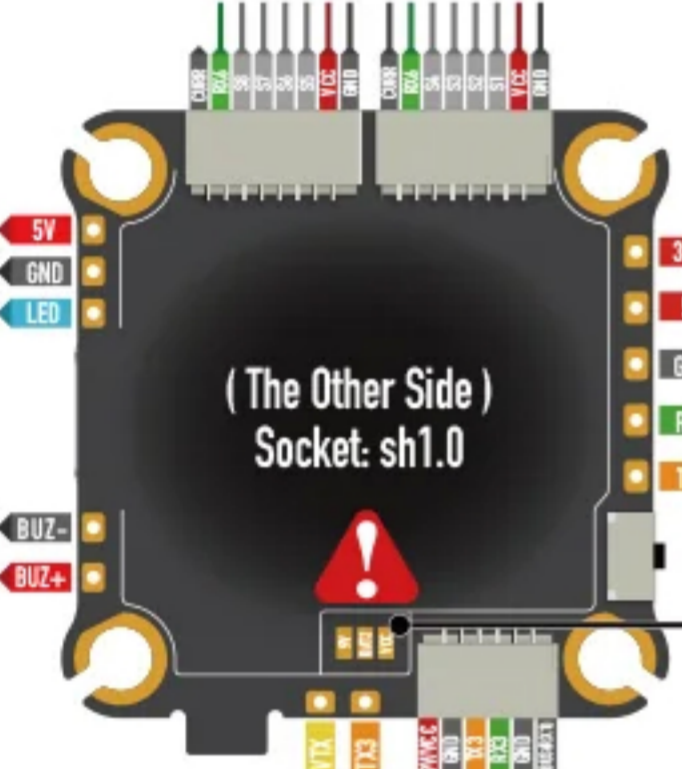
WIRING DIAGRAM



The LEDs are controlled by Betaflight when the upper pads are shorted.
The LEDs are controlled by Mamba LED Control System (On Board) when the lower pads are shorted.



| Mamba led instructions | |
|------------------------|--------------|
| Click one time | Change color |
| Double click | Flash mode |
| Press and hold | On/off |



AIR UNIT

接线前请检查电压! (默认9V电压)

图传电源开关通道:USER1
默认连通, 设置通道后控制电源开启或关闭

Please check the voltage before wiring! (default 9V voltage)

VTX power switch channel: USER1
Connected by default, control the power on or off after setting the channel

When using vtx power control Following Command:

1、通过下面Betaflight命令, 配置 USER 1 功能:
resource PINIO 2 C00//将C00引脚配置为2号PINIO功能
set pinio_config = 129,129,1,1//设置图传电源默认导通
set pinio_box = 0,40,255,255//设置PINIO 2功能区间
save//保存配置并重启飞控

1. Configure the USER 1 function through the following Betaflight command:
resource PINIO 2 C00// Configure C00 pin as No. 2 PINIO function
set pinio_config = 129,129,1,1//Set the VTX power to be turned on by default
set pinio_box = 0,40,255,255//Set PINIO 2 function range
save//Save the configuration and restart the FC

2、将 USER1对应到遥控器的AUX通道。(如下图所示)
2. Correspond USER1 to the AUX channel of the remote control.(As Shown)

USER1

AUX 3

添加链接/Add Link

添加范围/Add Range

最小/Min: 1700
最大/Max: 2100