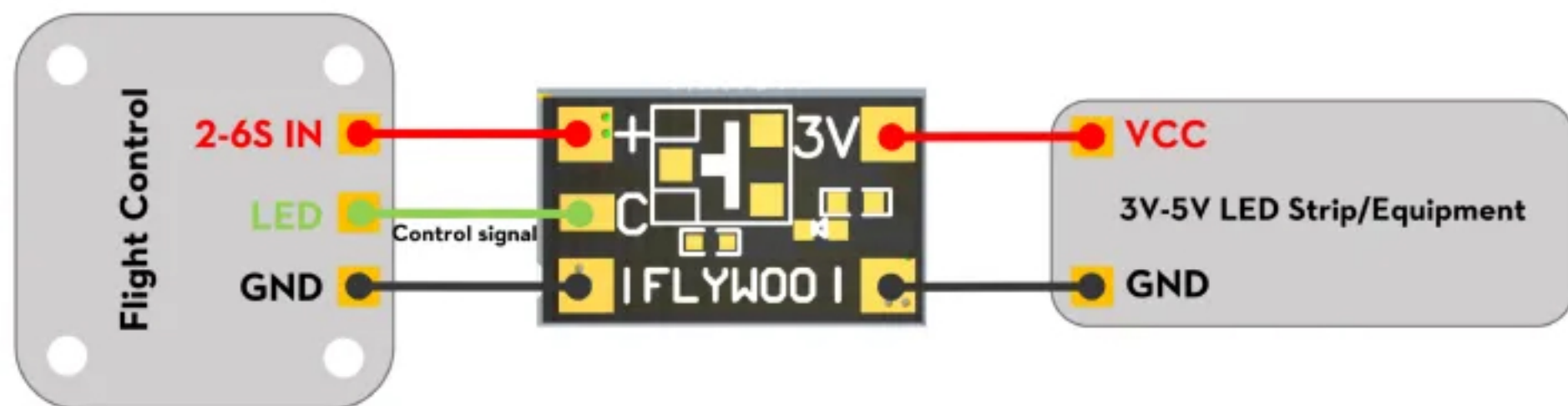
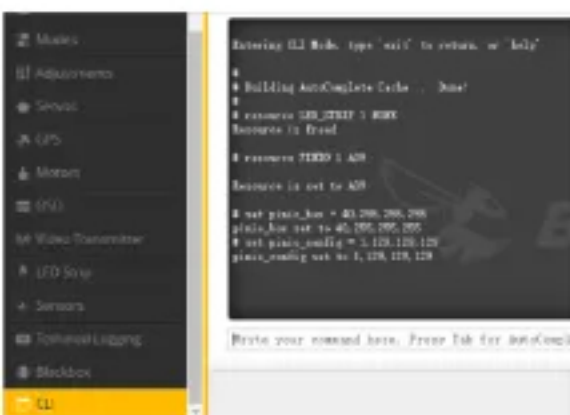


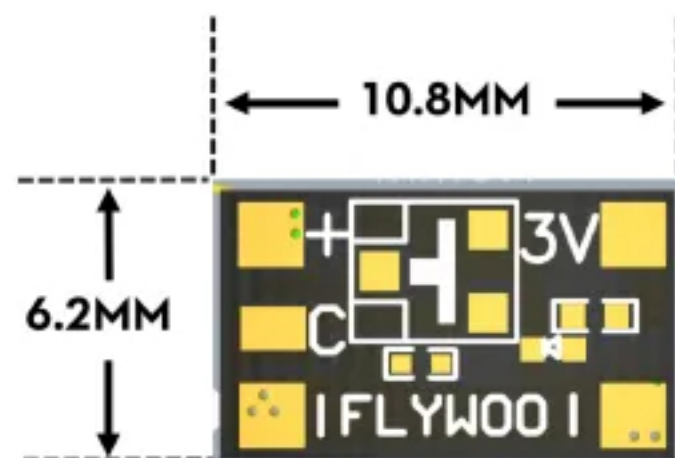
Step 1: Connect the cable



Step 2: Set BEC Control CLI Commands



FC LED pad as an example:
resource LED_STRIP 1 NONE
resource PINIO 1 A09
set pinio_box = 40,255,255,255
set pinio_config = 1,129,129,129
save



Step 3: Turn on the USER1 mode and set the AUX* switch

