

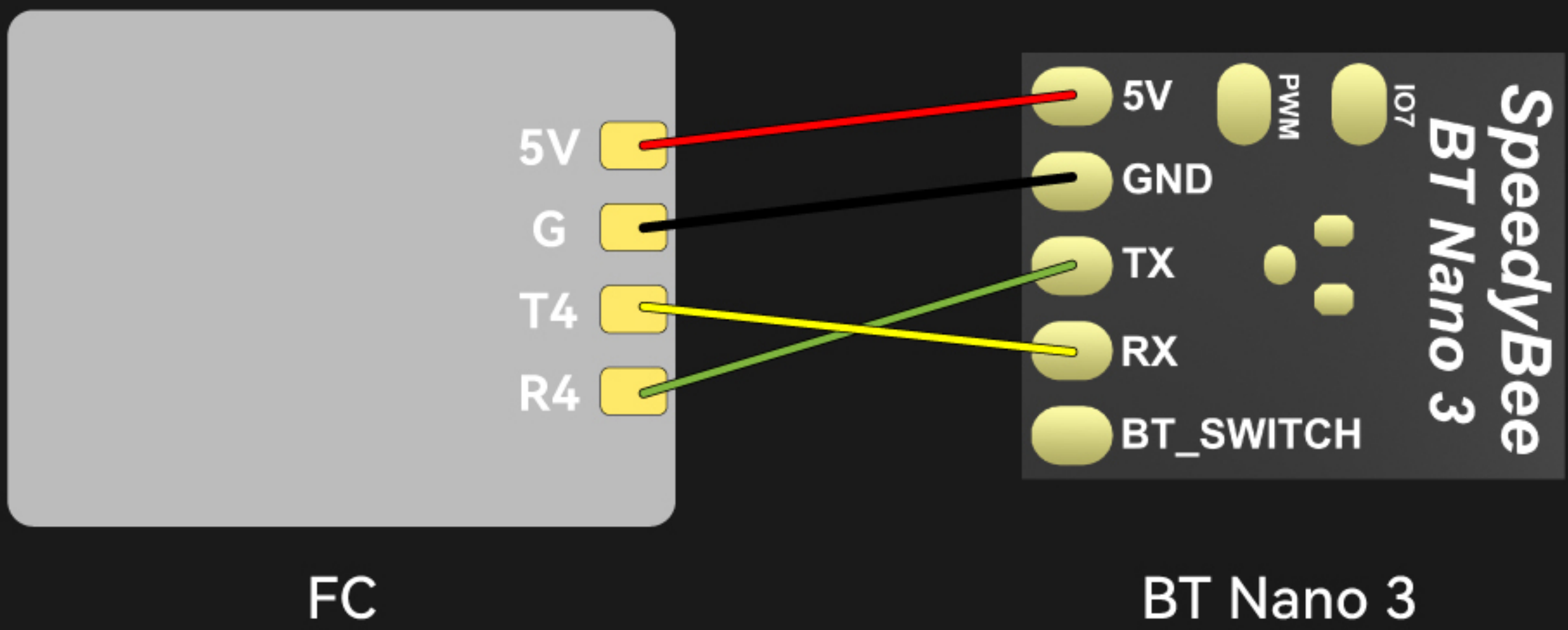
Installation Instructions

1. Please solder the 4 cables of BT Nano 3 according to the following instructions

a. Please solder the red cable to the 5V Pad of FC

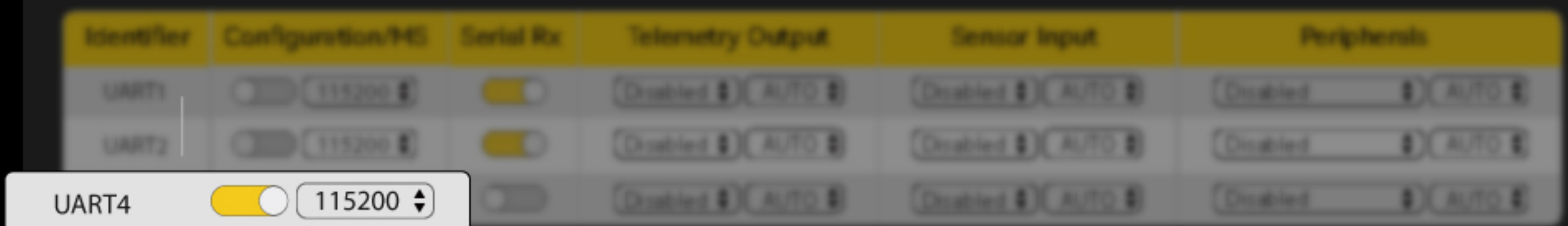
b. Please solder the black cable to the GND Pad of FC

c. Please find a spare UART port on the FC and solder the green cable to the RX Pad of the UART port. Solder the yellow cable to the TX Pad of the UART port.



The figure above takes the UART 4 of FC as an example to show the connection between FC and BT Nano 3. Please note that the connection between TX and RX is crossed.

2. Please connect the FC with the configurator on the computer, go to the Port page, turn on the MSP switch of the UART port connected to BT Nano 3, set the baud rate to 115200, and then click the save and restart button.



3. So far, all the soldering and setting have been completed! At this time, the working status indicator of BT Nano 3 should be white and solid, indicating that it has successfully communicated with FC. Now run the SpeedyBee APP starting your first connection.

