

**The Uart Port List:**

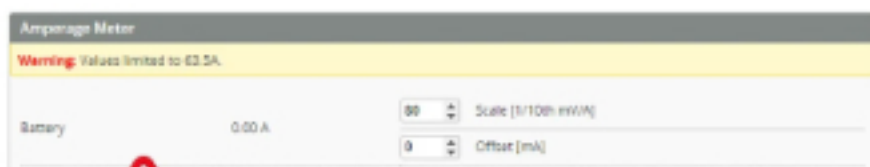
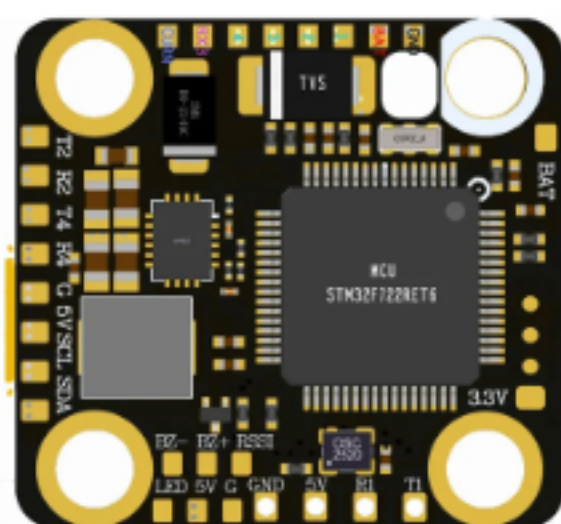
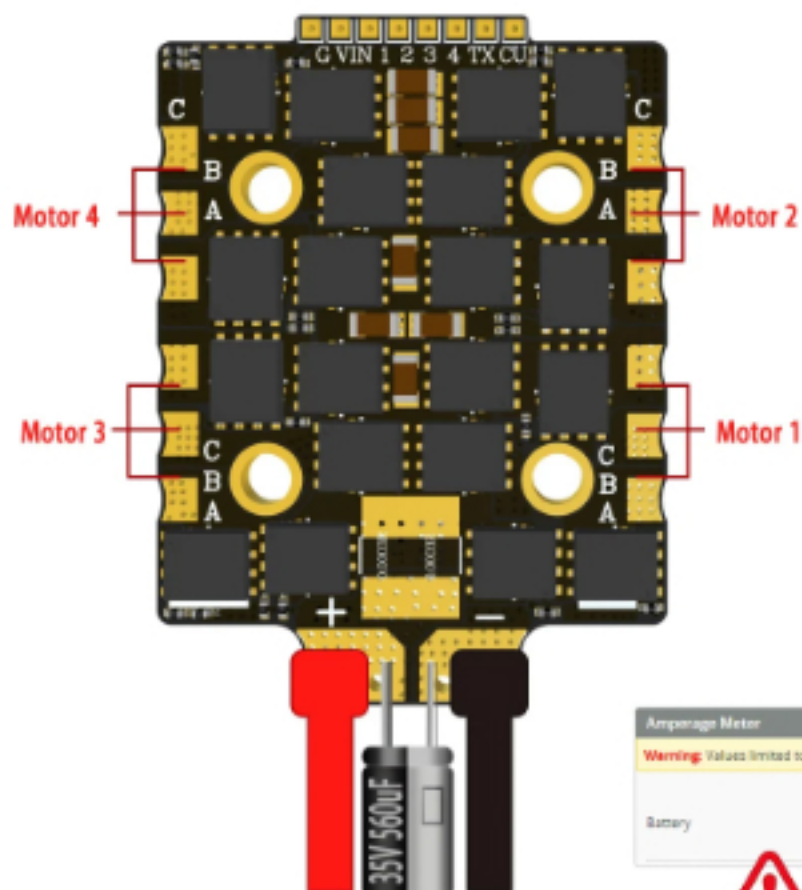
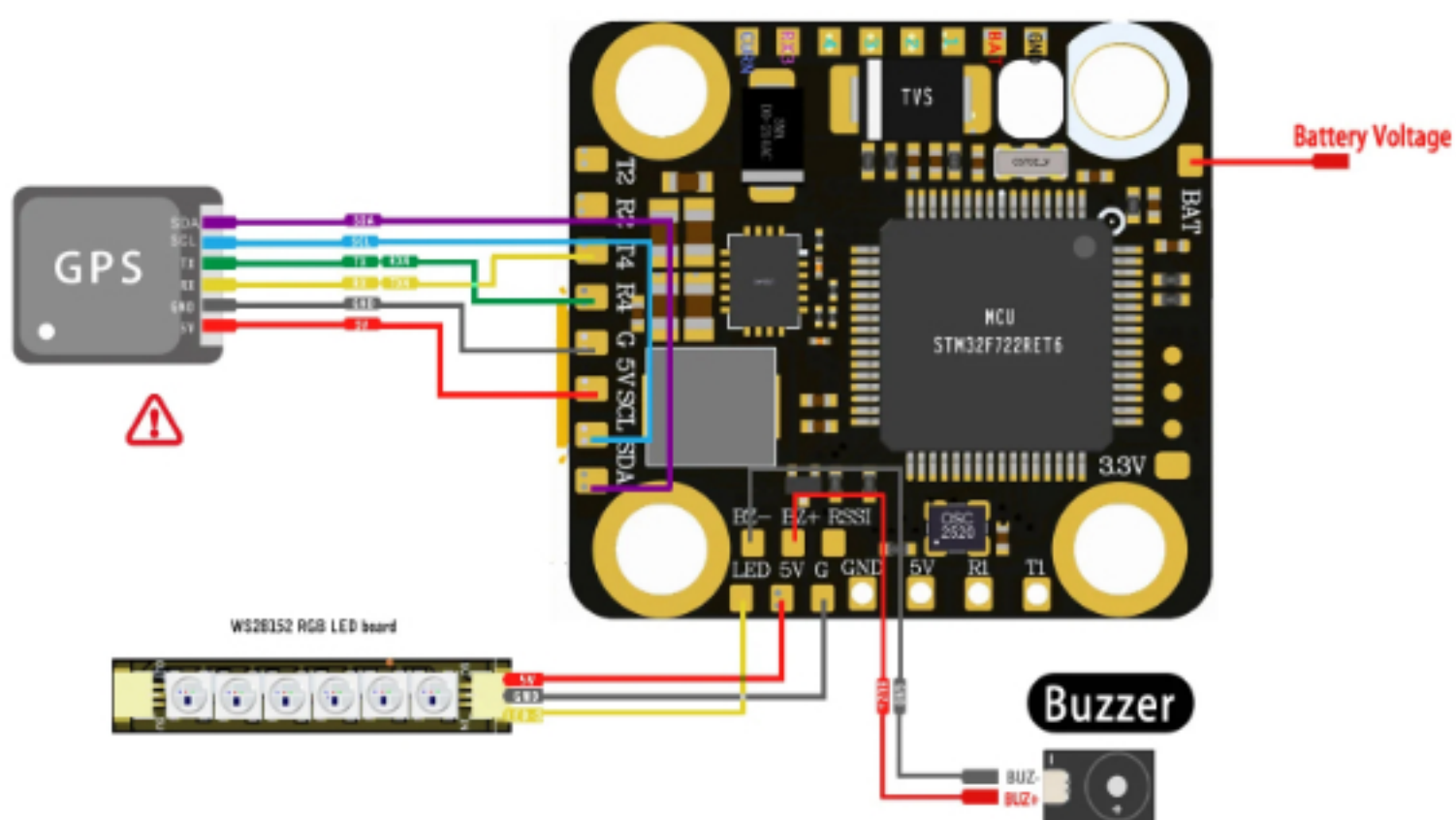
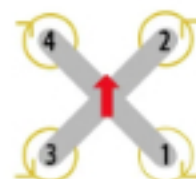
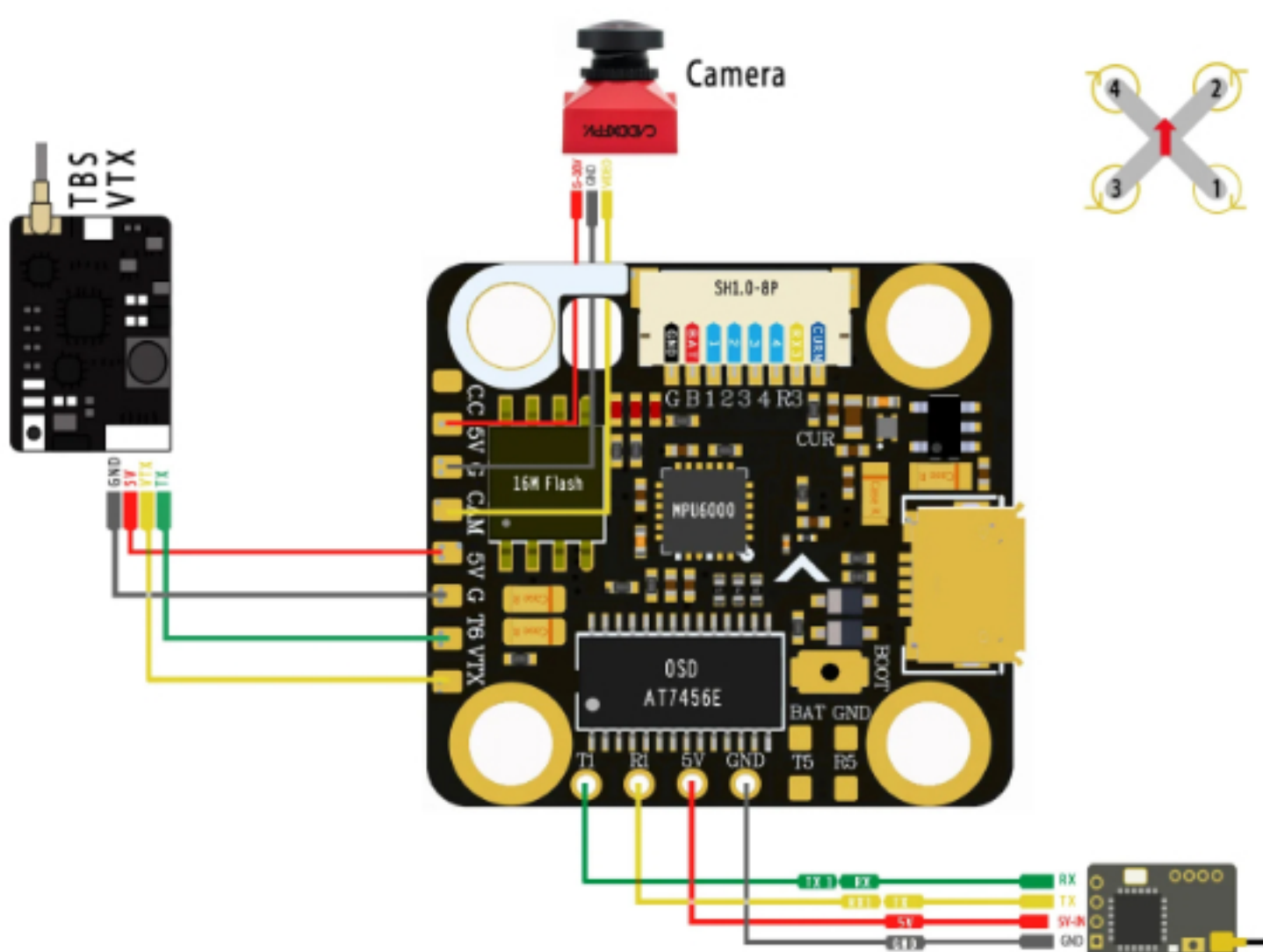
- UART1 Receivers
- UART2 Vacancy
- UART3 ESC TELE
- UART4 Vacancy
- UART5 Vacancy
- UART6 VTX



Skystars-rc

Facebook

INS



**PLEASE USE LOW ESR CAPACITOR SUPPLIED!**