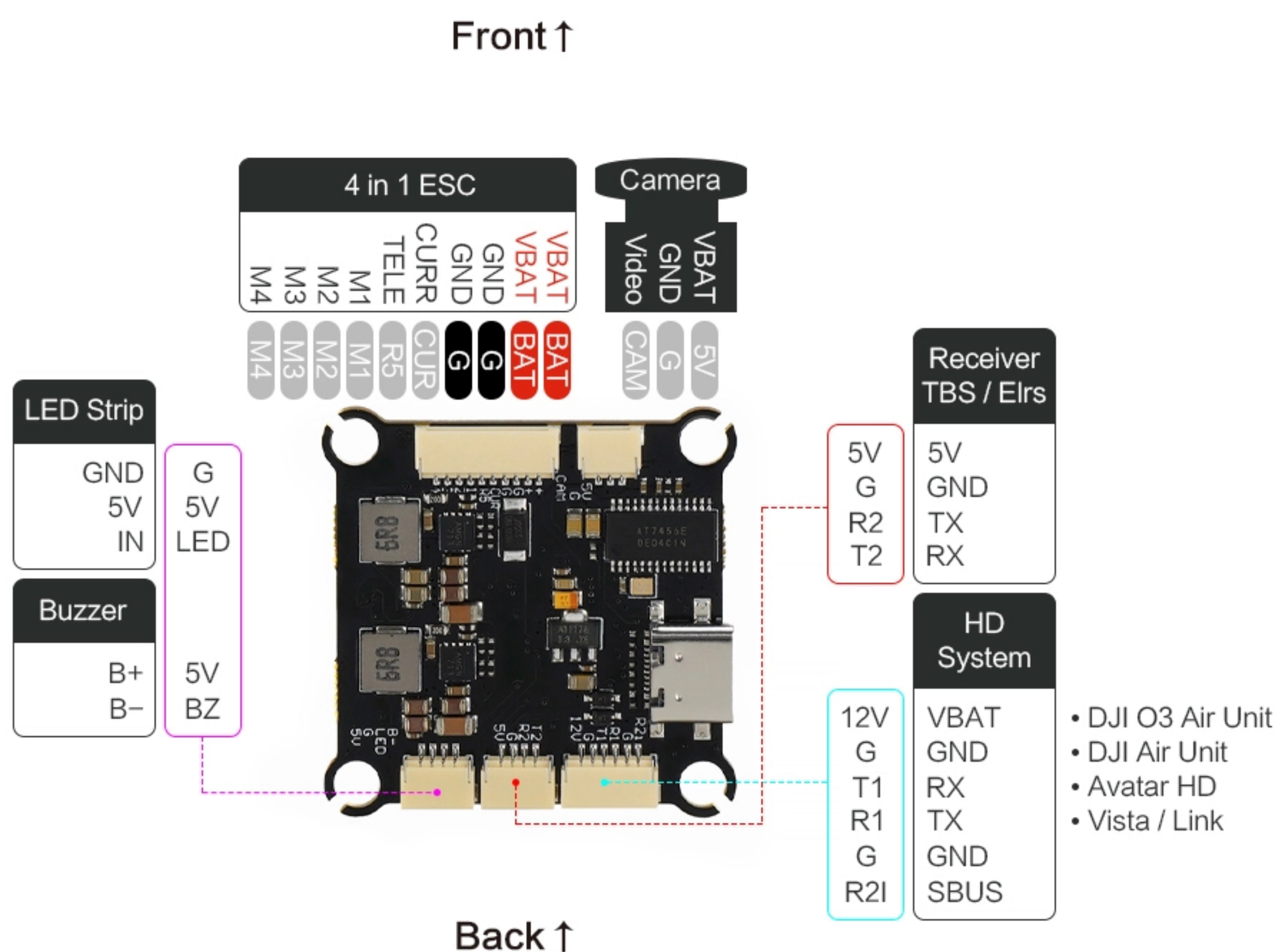
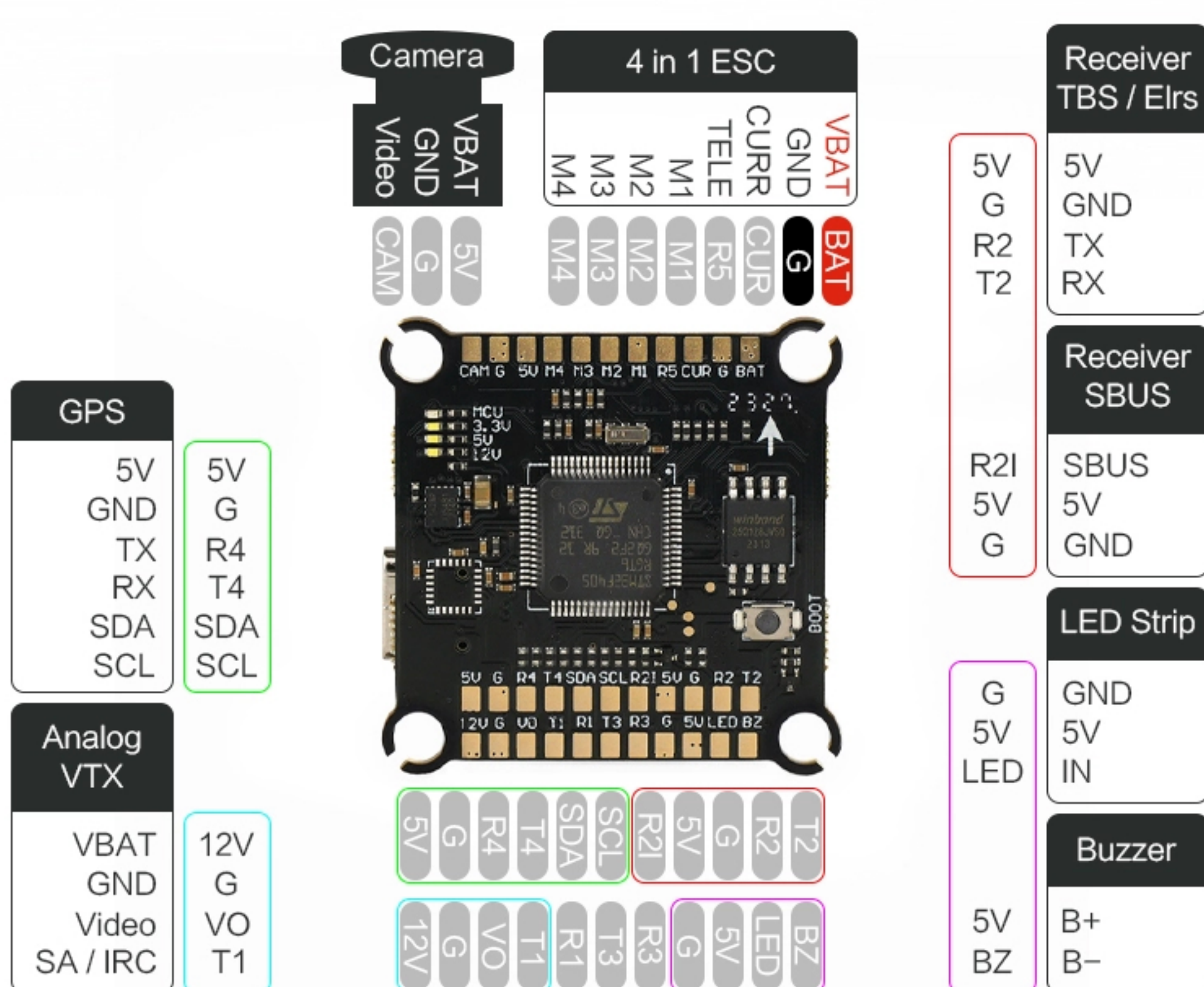


Argus ECO FC F405

Firmware name: SPDX-SPEDIX F405(Betaflight)	Black box: 16M
MCU: STM32F405RGT6	Barometer: Not supported
Gyro: ICM42688P	Input voltage: 4~6S
BEC: 5V3A / 12V2A	Size: 36*36*6mm
Uarts: 5 Set	Install hole distance: 30.5*30.5mm
OSD: Supported	Weight: 7g



- DJI O3 Air Unit
- DJI Air Unit
- Avatar HD
- Vista / Link

Argus ECO ESC 60A -6S Blheli-S

Firmware name: Bluejay_QH30 (default)	Telemetry: Not supported
Amperage Meter: 200	BEC: Not supported
Input Voltage: 4~6S	Size: 44.8*43*6mmmm
Continuous current: 60A	Install hole distance: 30.5*30.5mm
Burst current: 70A	Weight: 13.5g
Temperature protection: Supported	

